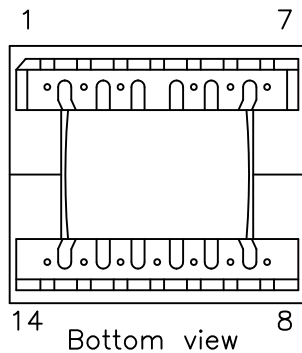
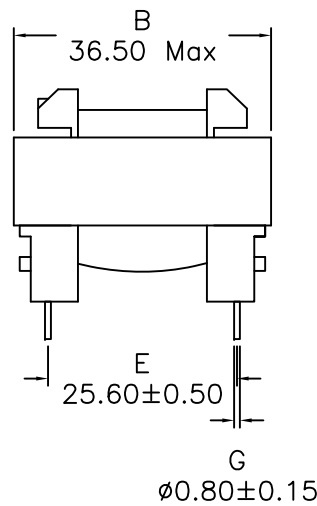
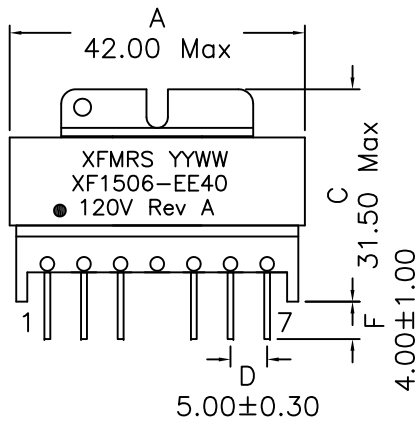
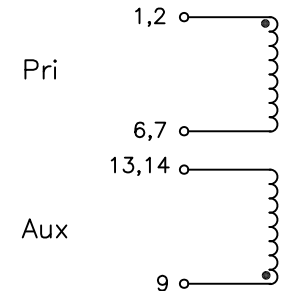


1. Mechanical Dimensions:



2. Schematic:



3. Electrical Specifications: @25°C

OCL: Pins 1,2-6,7 150uH±10% @50KHz 0.1V

Q: Pins 1,2-6,7 5.0 Min @50KHz 0.1V

DCR: Pins 1,2-6,7 0.09 Ohms Max

Pins 9-13,14 0.270 Ohms Max

Isat: 10.0A (Based on 10% drop in OCL)

Irms: 4.0A (Based on 40°C temp rise)

Turns Ratio: (1,2-6,7):(9-13,14) = 8.00:1.00±3%

Hipot: 4800Vrms; Wdg to Wdg, 1mA

SRF: Pins 1,2-6,7 750KHz Min

Notes:

1. Solderability: Leads shall meet MIL-STD-202G, Method 208H for solderability.
2. Flammability: UL94V-0
3. ASTM oxygen index: > 28%
4. Insulation System: Class F 155°C. UL file E151556
5. All listed parameters are to be within tolerance from -40C to +105C unless otherwise noted
6. Storage Temperature Range: -55°C to +125°C
7. Aqueous wash compatible
8. Electrical and mechanical specifications 100% tested
9. RoHS Compliant Component
10. Remove Pin#4

DOC. REV: A/2

XFMRS Inc www.XFMRS.com	Title: TRANSFORMER		
	UNLESS OTHERWISE SPECIFIED	P/N: XF1506-EE40	REV. A
TOLERANCES:	DWN.	Yuan	Jun-08-15
.xx ±1.00	CHK.	YK Liao	Jun-08-15
Dimensions in MM	APP.	DDC	Jun-08-15
SHEET 1 OF 1			

PROPRIETARY

Document is the property of XFMRS Group & is not allowed to be duplicated without authorization.